

## Picatunny rail mount installation for Body 4 Flex POV camera



The Picatunny rail mount for the Axon Body 4 Flex POV lets you securely mount your Flex POV (point-of-view) camera to the Picatunny rail commonly found on special units helmets as shown above.

The mount allows use on any Picatunny rail, on either side of a helmet or even on top. This guide will show you how to install this mount. For instructions on setting the visual orientation of your Flex POV camera after installation, see the [Flex POV Module](https://my.axon.com/s/axon-body4) topic of the Body 4 camera page at [my.axon.com/s/axon-body4](https://my.axon.com/s/axon-body4).

### Installation

---

1. Loosen the lock-screws on the bare Body 4 rail mount.
2. Orient the rail mount onto your Picatunny rail so it is facing in the desired direction. Ensure both screws are between shoulders of the rail.
3. Tighten the screws firmly. Do not over-tighten.
4. Attach the Flex POV camera to the mount. To adjust 2.5 degrees up or down from horizontal prior to mounting, see the next section.
5. Route and secure the camera cable to allow full range of movement with a minimum of loose cable that might catch on your environment (such as branches).

#### NOTE

This is a fiber-optic cable that, while robust, will not stop the mass of a human body in motion. Treat it with the same care you would use with a precision tool.

6. Connect the camera cable to your Body 4 and set the orientation as described in the [Flex POV Module](https://my.axon.com/s/axon-body4) topic.
7. If you just moved the mount to the other side of a helmet, adjust the camera angle as described in the next section.

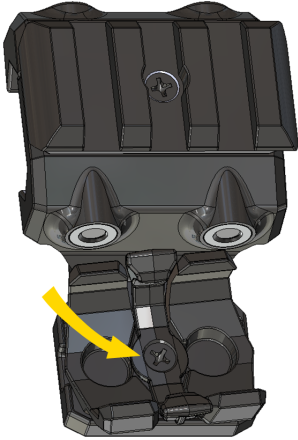
## Adjust the POV angle

---

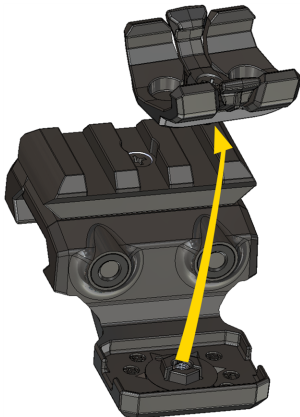
The Picatinny rail mount includes a vertical adjustment feature that lets you lower the view 2.5, 5, or 7.5 degrees. These positions are marked on the mount by the numbers 2, 5 and 8, respectively. Adjacent to each number is an R or L indicating a right or left side mount.

To adjust the vertical view of the POV camera:

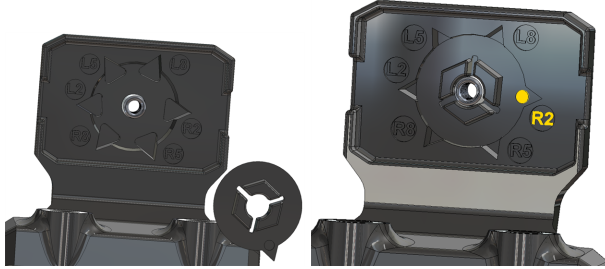
1. Use a small (#1) Phillips driver to loosen the Phillips screw in the center of the POV mounting clip (not in the Picatinny rail).



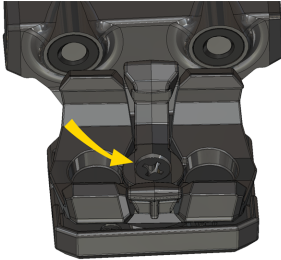
2. Remove the clip, lock spring, and screw as one assembly. If the indexing hub also comes out of the mount; gently remove it from the bottom of the mounting clip.



- The indexing hub is typically positioned at R5 during manufacture. Lift the indexing hub off the mount (shown in left image below), align its pointer to the cutout point corresponding to the desired angle, and seat it fully in the mount. Numbers followed by R are for **right** side mounting, L is for **left**. Here (right image) the indexing hub is set at Right 2 degrees (yellow for illustration purposes).



- Position the POV clip on the hub so it points in the desired direction and reinstall the Phillips screw. Do not over-tighten.



End of article